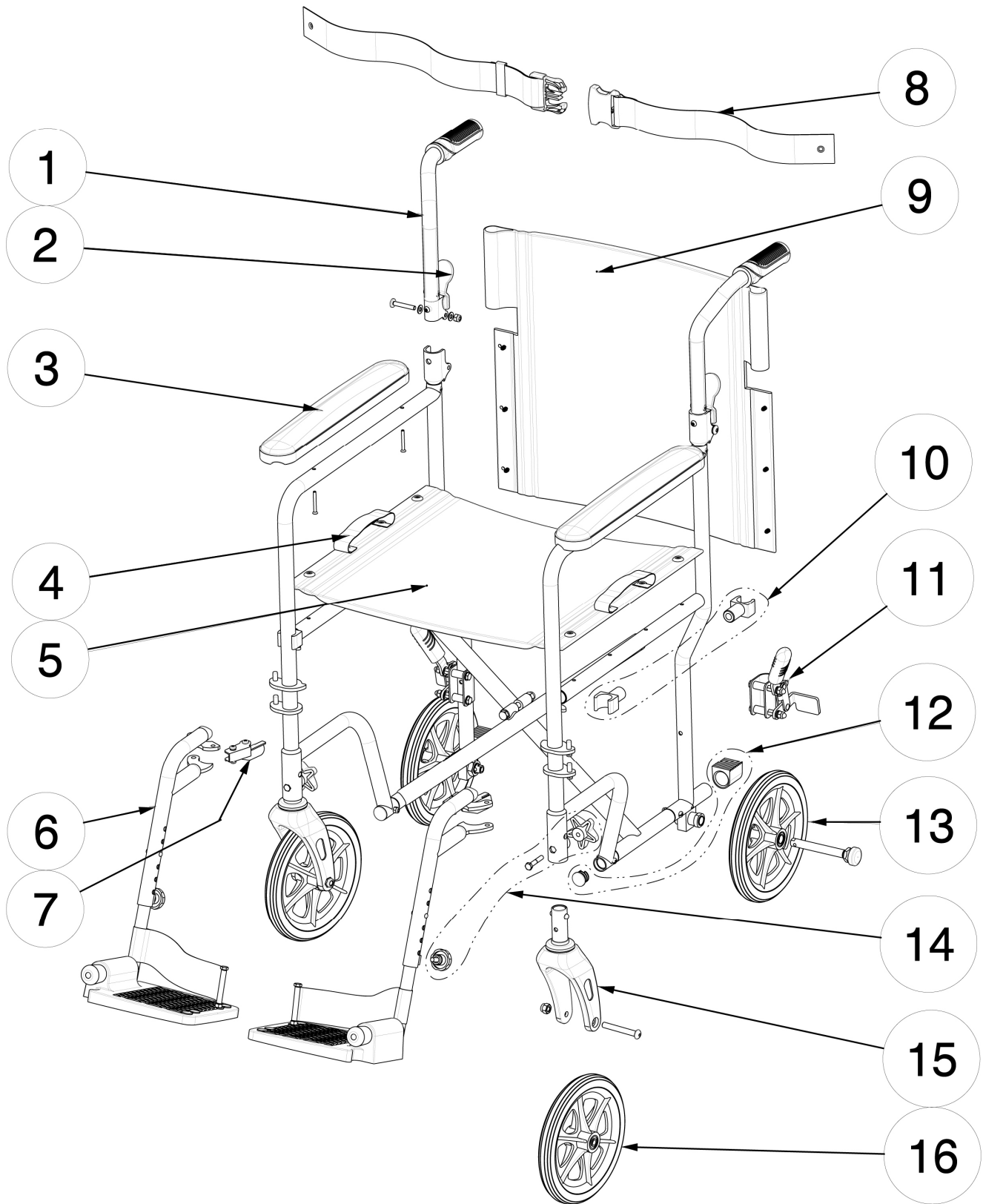


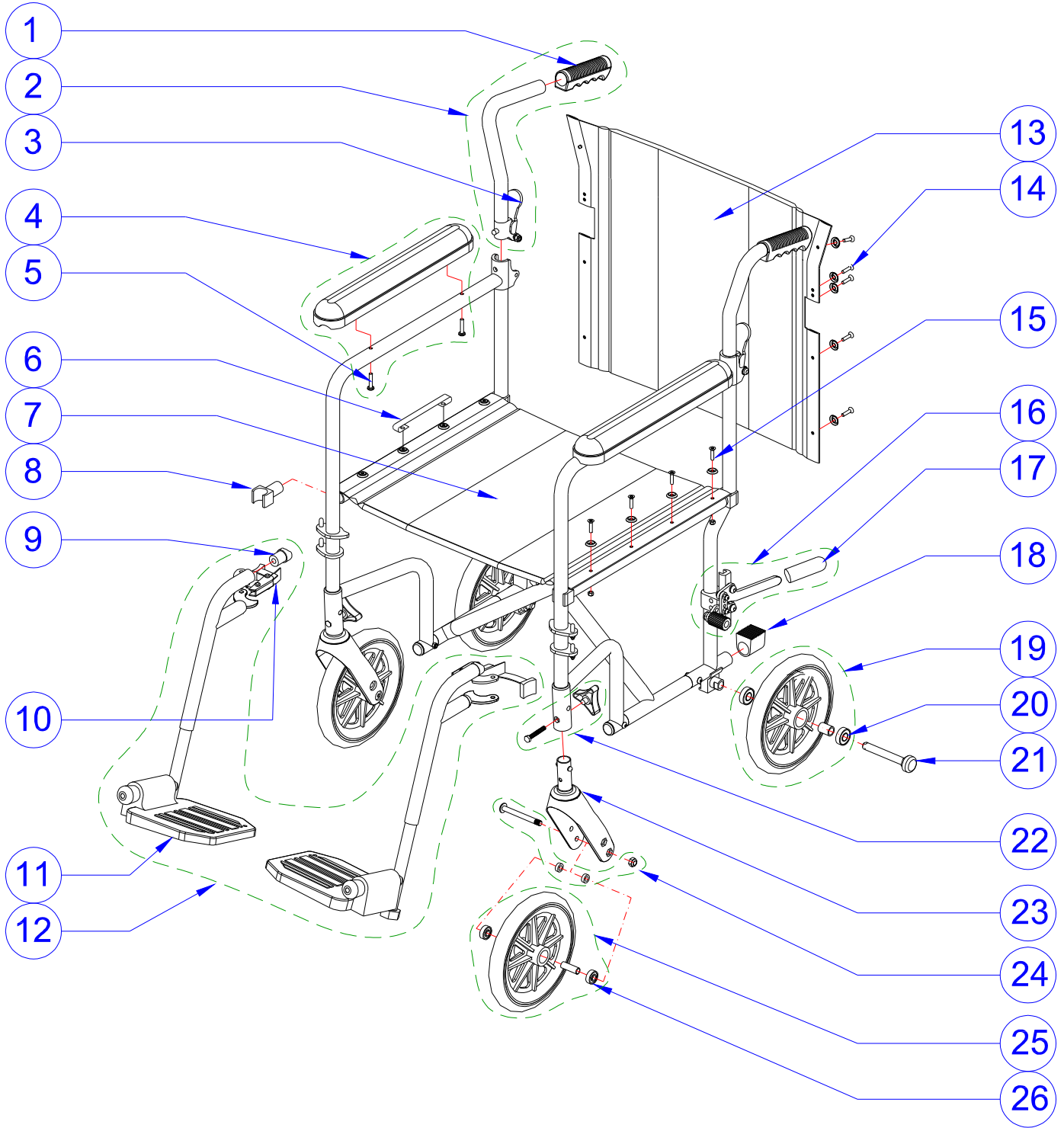
**700-844 (BLACK)
AIRGO TRANSPORT CHAIR 19" WIDE**



700-844 (BLACK)
AIRGO TRANSPORT CHAIR 19" WIDE

Item #	AMG Part #	Item Description	Qty Per Unit	Sold by	UOM
1.	C48-00075	Black Folding Handle & Quick Fold Mechanism - L & R	1	1	PR
2.	C48-00077	Handle Release Lever, Black - 2ea / set	1	1	ST
3.	C48-00078	Full Black Nylon Arm Pad & Hardware – 2 ea / set	1	1	ST
4.	C48-00061	Seat Strap - 2 ea /set	1	1	ST
5.	C48-00079	Black Nylon Seat Upholstery 19"x15.5" & Hardware	1	1	EA
6.	C48-00080	Black Swing-Away Footrest - L & R	1	1	PR
7.	C48-00082	Black Footrest Release Mechanism - L & R	1	1	PR
8.	C48-00066	Safety Belt, Black	1	1	EA
9.	C48-00083	Airgo Black Nylon Back Upholstery 19"x16" & Hardware	1	1	EA
10.	C48-00069	2 Front & 2 Rear Black Seat Guides	1	1	ST
11.	C48-00070	Wheel Lock Assembly - L & R	1	1	PR
12.	C48-00087	2 Front + 2 Rear End Plugs	1	1	ST
13.	C48-00085	8" Black Rear 6 Spokes Wheel & Hardware	2	1	EA
14.	C48-00086	Knobs & Hardware	1	1	ST
15.	C48-00088	Front Fork & Hardware	2	1	EA
16.	C48-00089	8" Black Front 6 Spokes Wheel & Hardware	2	1	EA

700-844 AIRGO ULTRA-LIGHT WEIGHT TRANSPORT CHAIR 19" WIDE



700-844
AIRGO ULTRA-LIGHT WEIGHT TRANSPORT CHAIR 19" WIDE

Item #	AMG Part #	Item Description	Qty Per Unit	Sold by	UOM
1.	A07-401	Hand Grip, Black (2 ea/set)	1	1	ST
2.	B07-301L	Folding Black Handle, Left (Left Black, Handle Bar, Hand Grip & Folding Mechanism)	1	1	EA
	B07-301R	Folding Black Handle, Right (Right Black Handle Bar, Hand Grip & Folding Mechanism)	1	1	EA
3.	A07-421	Release Lever to Fold Handle, Black (2 ea/set)	1	1	ST
4.	B07-251	Full Armrest, Black Nylon with Hardware (2 Arm Pads 360x57mm, 4 Round Philips Screws M5x25mm)	1	1	ST
5.	B07-821	Hardware for Armrest (4 Round Philips Screws M5x25mm)	1	1	ST
6.	A07-601	Seat Strap, Black Nylon (2 ea /set)	1	1	ST
7.	B02-431	Seat Upholstery 19"x15.5", Black Nylon, with Hardware	1	1	EA
8.	A07-411	Seat Guide, Black (4 ea/set)	1	1	ST
9.	A07-431	Bumper for Footrest, Black (2 ea/set)	1	1	ST
10.	B07-391	Release Handle Mechanism with Hardware, left and right (2 Long Handle L+R, 4 Philips Bolts: 2 M5x20mm + 2 M5x25mm, 2 Hex Locknuts M5, 6 Spacers: 2 long, 2 short and 2 special, and 2 Springs)	1	1	PR
11.	A07-451	Foot Plate, Black (2 ea/set)	1	1	ST
12.	B07-351	Detachable Swing-Away Footrests, Left & Right	1	1	PR
13.	B07-401	Back Upholstery 19"x16", Black Nylon, with Hardware (2 Supporting Plates 13x195mm, 10 Self-threading Screws M5x17mm & 10 Black Saddle Washers)	1	1	EA
14.	B07-801	Hardware for Back Upholstery (10 Philips Self-threading Screw M5x17mm & 10 Black Saddle Washer)	1	1	ST
15.	B07-811	Hardware for Seat Upholstery (4 Round Philips Screws M5x32mm, 4 Locknuts M5, 4 Philips Self-threading Screws M5x17mm & 8 Black Saddle Washers)	1	1	ST
16.	B02-211	Wheel Lock Assembly for Transport Chair, Left & Right	1	1	PR
17.	A07-402	Wheel Lock Grip, Black	1	1	ST
18.	A07-435	Plug for Rear Frame, Black	1	1	ST
19.	B07-126	8" (20.3 cm) Solid Rear Wheel Assembly, Black (Black Tire Wheel with 8 Spokes, 2 Bearings 6001Z & Bushing)	2	1	EA
20.	A07-301	6001Z Bearing (28 diameter x 12 diameter x 8 mm)	4	1	EA
21.	B07-861	Quick-Release Bolt System for Wheel	2	1	EA
22.	B07-831	Front Fork Secure Knob (Triangular Knob, Hex Bolt M6x35mm & Curved Washer)	2	1	ST
23.	B07-151	Front Fork Assembly (Plastic Fork with 2 Holes, 2 Bearings 6001, Bushing, Locknut M12, Plastic Cover, Stem M12, Push-Buttons)	2	1	EA
24.	B07-851	Hardware for 8" Front Wheel (Hex Socket Bolt M8x78mm, 2 Spacers & 1 Hex Locknut M8)	2	1	ST
25.	B07-101	8" Solid Front Wheel Assembly, Black (Black Tire Wheel with 8 Spokes, 2 Bearings 608 & Bushing)	2	1	EA
26.	A07-305	608 Bearing (22 mm diameter x 8 mm diameter x 8 mm)	4	1	EA